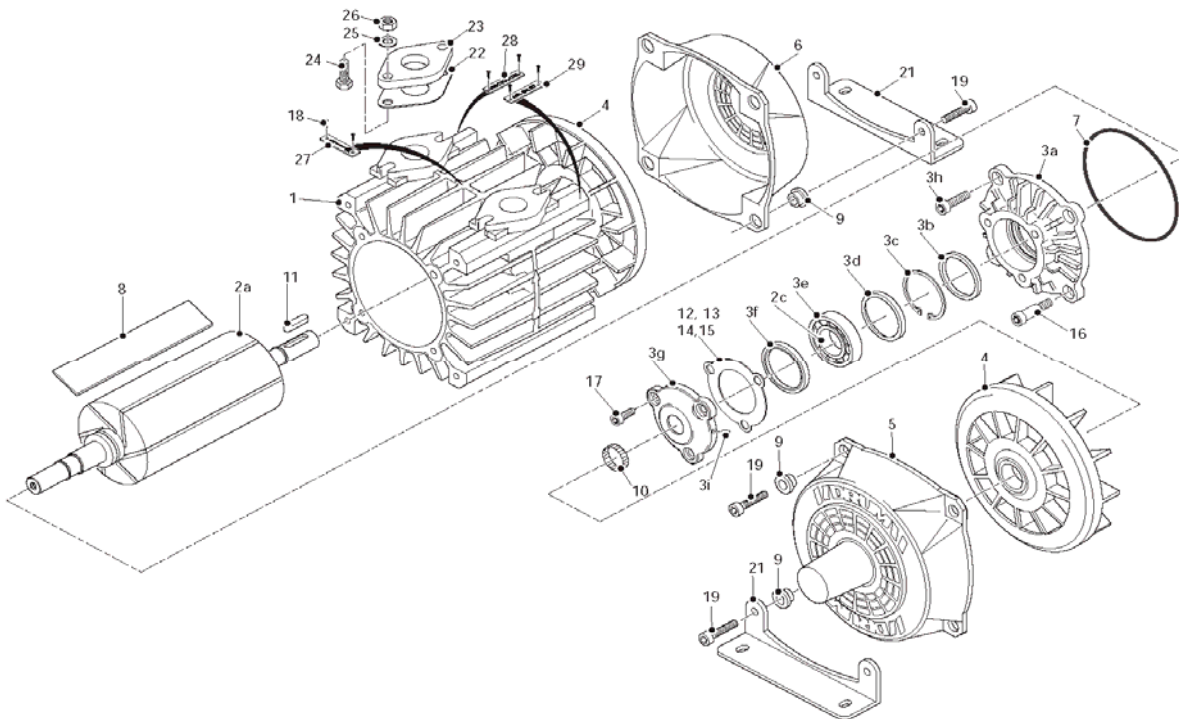
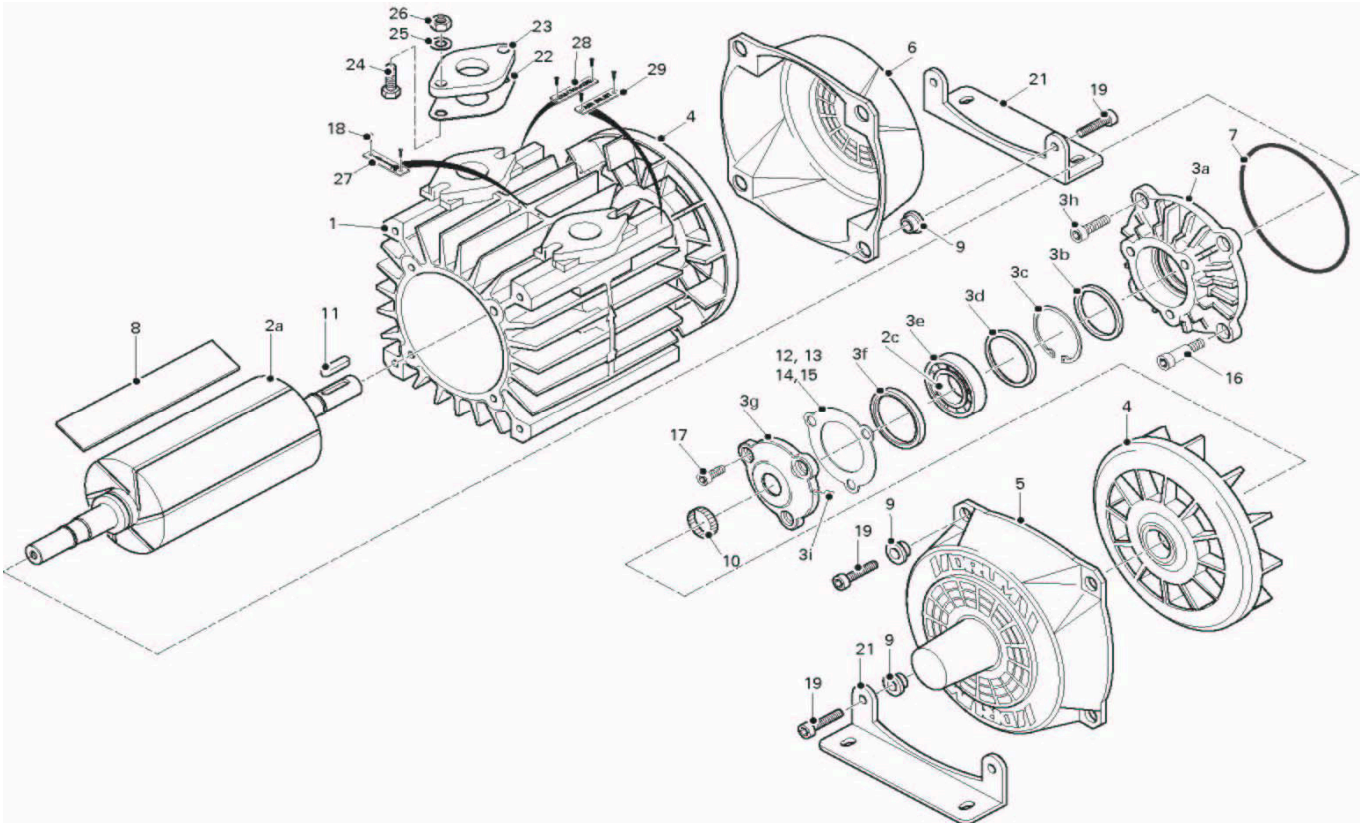


J150 / GD150 Compressor





J150 Compressor

Item	Description	Old Part No.	New Part No.	QTY	Price	
1	BODY J100	50000200	3050316461-2	1	\$941.13	L
2	ROTOR J150 STAINLESS 3 PIECE	3664516000-2	3664516000-2	1	Call Factory	
3	SIDEPLATE J100 DIE CAST MACH.	3801816005-2	3801816005-2	2	\$271.04	L
4	FAN J100 PLASTIC COWL	3301016450-2	3301016450-2	2	\$173.00	L
5	COWL J100 NDE PLASTIC - OBSOLETE	505020200	3210316634-2	1	\$0.00	L
6	COWL J100 DE PLASTIC - OBSOLETE	505010200	3210416634-2	1	\$0.00	L
7#+	'O'RING 147 X 1.78 VITON	522010202	6758300600-2	2	\$11.57	L
8#+	BLADE J150	3091616000-2	3091616000-2	6	\$58.51	L
9	BUSH J100 MNTG STEPPED	516020202	3131216848-2	8	\$4.37	L
10#+	RING STAR TOL D28X15 SV	196028215	M750280015-7	2	\$2.66	L
11	KEY RECT/PARR RD END 8 X 7 X40	199050200	M200807040-4	1	\$2.35	L
12+	SHIM J100 0.050 BRG CAP	516070201	7701100635-2	2	\$0.70	L
13+	SHIM J100 0.075 BRG CAP	516070203	7711100635-2	2	\$0.70	L
14+	SHIM J100 0.125 BRG CAP	516070207	7721100635-2	2	\$0.85	L
15+	SHIM J100 0.25 BRG CAP	516070217	7731100635-2	2	\$1.32	L
o+	GREASE HIGH TEMP AEROSHELL#5 14.1ozTB-US	520010203	520010203	1	Call Factory	L
16	FLANGE J100/2 x 1.5" NPTF CI	508030207	508030207	2	\$22.70	L
17#+	GASKET J102/100 CAST IRON FLG 1/16" -US	526073200	526073200	2	\$2.89	L
18	NUT HEX FULL S/S M10	188010200	188010200	4	\$4.19	N
19	PLUG AVSEAL 6MM 695 09 00	6950900841-2	6950900841-2	2	\$2.17	L
20#+	SCREW SHOULDER SPECIAL	174210040	7050400059-2	2	\$15.44	L
21	CAPSCREW SKT HD ISO 12.9 M10 X 25MM PLTD	128110425	128110425	6	\$0.40	L
23	CAPSCREW SKT HD ISO 12.9 M10 X 35MM PLTD	128110435	128110435	8	\$2.05	L
30	LABEL ROTATION ARROW	537021200	6710300451-2	1	\$2.06	L
31	NAMEPLATE AIR INLET JCD150	6726500451-2	6726500451-2	1	Call Factory	L
32	NAMEPLATE DISCHARGE JCD150	6726600451-2	6726600451-2	1	Call Factory	L
33+	BRG ROLLER NJ306E JP1 C3	6036900850-2	6036900850-2	2	\$54.57	L
35+	SEAL AIR 48 X 62 X 7 STAINLESS	513100202	3730700869-2	2	\$72.66	L
36+	CIRCLIP INT 62 DIA	M140620000-8	M140620000-8	2	\$1.73	L
37+	SEAL OIL 2 LIP VITON 48X72X8 (old p/n 7	7163500000-2	7163500000-2	2	\$18.98	L
38+	SEAL OIL 2 LIP 30X52X7 VITON	7163600000-2	7163600000-2	2	\$10.72	L
39	CAP BRG HSG J100	521001201	3150116455-2	2	\$89.96	L
40	CAPSCREW SKT HD ISO 8.8 M10X20mm PLTD(US	128110020	128110020	6	Call Factory	L
41	CAPSCREW HEX HD S/S M10 X 50	128010250	128010250	4	\$1.10	L
42	LOCKWASHER ST/ST 10 MM SPLIT	194010210	194010210	12	\$1.03	N
	TOOL J102 LARGE OIL SEAL	530051205	530051205	1	Call Factory	
	TOOL J102 SMALL OIL SEAL	530051202	530051202	1	Call Factory	
	TOOL J102 SLEEVE & BRG	530051203	530051203	1	Call Factory	
	TOOL J102 AIR SEAL	530051204	530051204	1	Call Factory	
#	REPAIR KIT BLADE J100	710000202	710000202	1	\$370.21	N
+	REPAIR KIT SERVICE COMP J100	710001202	710001202	1	\$861.55	N