

GD150 Oil Free Compressor

The GD150 is a high flow, oil free, radial vane compressor for pressure off-loading of bulk liquids.

The most modern materials and manufacturing methods make the GD150 compressor the most reliable and durable vane compressor available.

FEATURES

- 100% oil free air for clean product unloading
- High airflow up to 75 cfm
- High pressure 36 psi
- Corrosion resistant, stainless steel rotor will not corrode or de-plate like coated rotors
- Steel shafts for durability and strength
- Viton® seals
- High temperature blades
- Lightweight and compact with anodized aluminium body and side plates
- Double ended shaft for clockwise or counter clockwise drive
- Hydraulic drive mounting trunks available for direct coupling of hydraulic motors



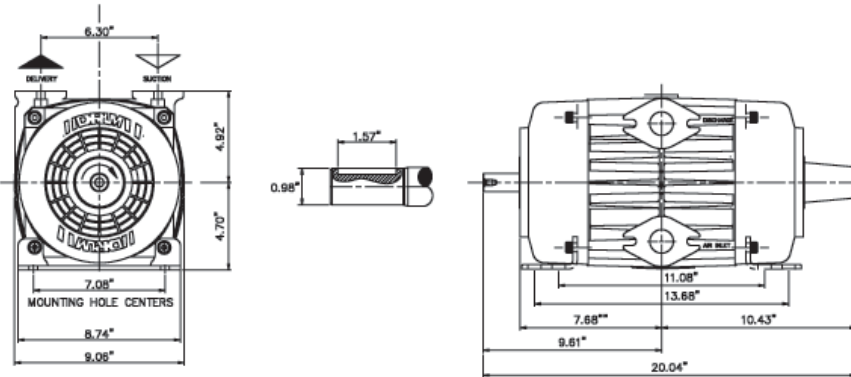
GD150 OIL FREE COMPRESSOR

- Airflow from 1,000 cfm to 1,800 cfm
- Pressure to 36 psig
- Flow rate to 75 cfm

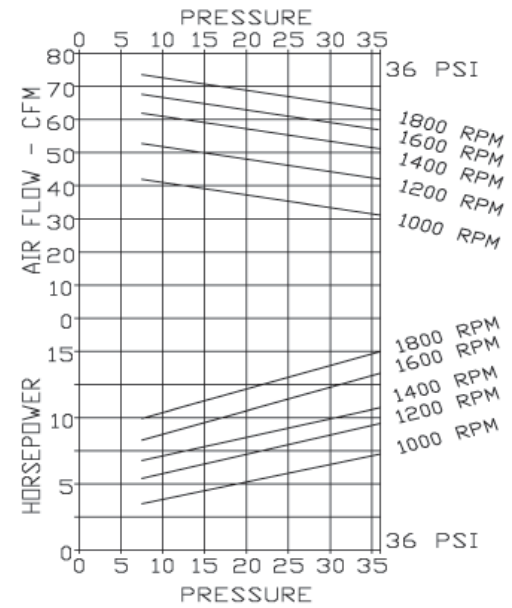


GD150 Oil Free Compressor

DIMENSIONS



PERFORMANCE



ACCESSORIES

The standard accessories supplied with the GD150 are:

- 1½" brass check valve
- Pressure relief valve 30 psi
- Detachable mounting feet
- Specially designed aluminum air filter
- 1½" NPTF port flanges

Options include:

- 1" stainless steel check valve
- Pressure relief valve 36 psi
- Drive flange
- 3 way ball valve
- Stainless steel mounting brackets



As a part of a continuous commitment to product development the company reserves the right to alter the specification of its products without prior notice.

Contact Your Gardner Denver Representative

For additional information, contact your local representative or

Gardner Denver Mobile Solutions

4601 Commerce Crossing Drive, Suite 200, Louisville, KY 40229
Toll Free: 800-626-6334
 PH: 502-266-6677 • Fax: 502-266-5873 • www.gardnerdenver.com

E-mail: mobilesolutions@gardnerdenver.com

Visit our web site: www.gardnerdenver.com

For Parts Information, Contact Gardner Denver Customer Service:

Ph: 1-800-626-6334 • Fax 502-266-5873

Gardner Denver